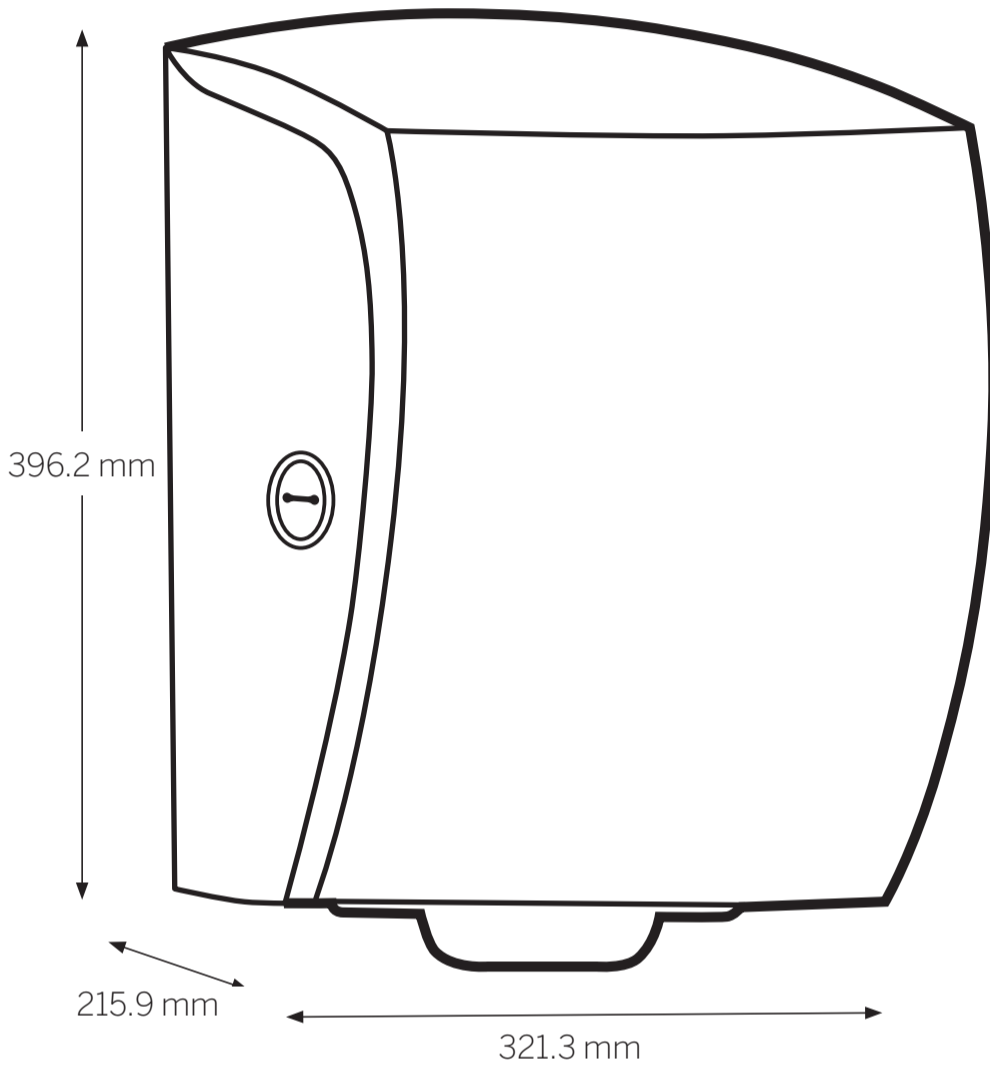


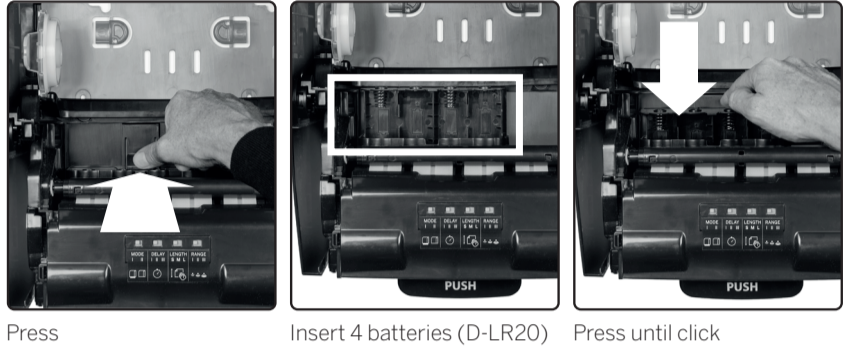


# 84739, 84753, 91997, 92017

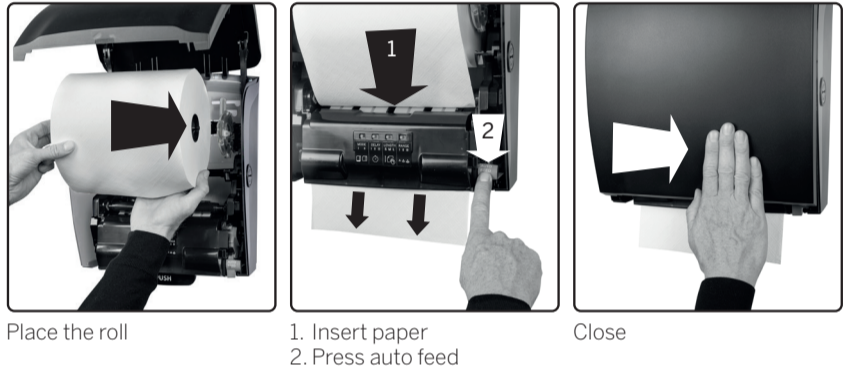
KATRIN Hand Towel Roll Hybrid Dispenser



How to insert/change batteries



How to load paper



Paper feed settings

MODE	DELAY	LENGTH	RANGE
I II	I II III	S M L	I II III

More information

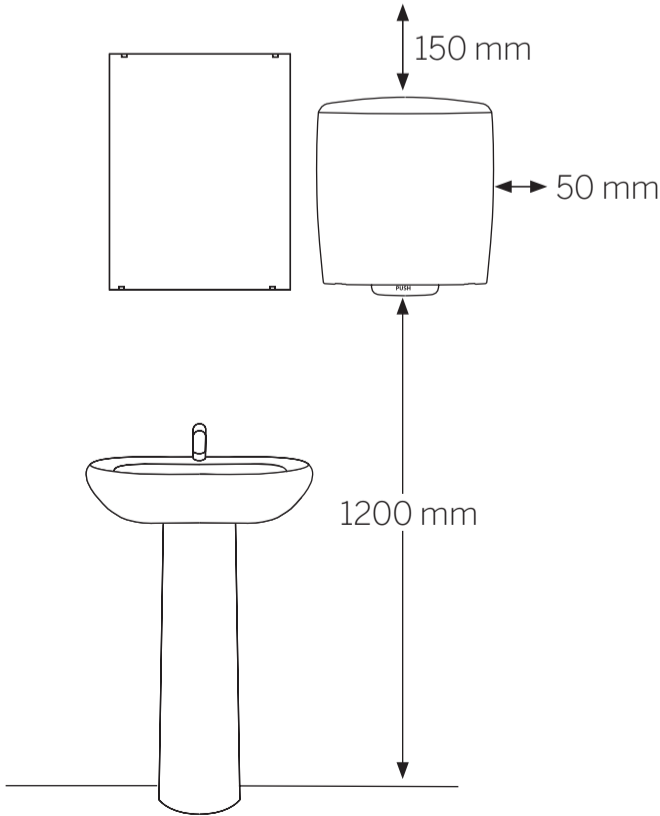
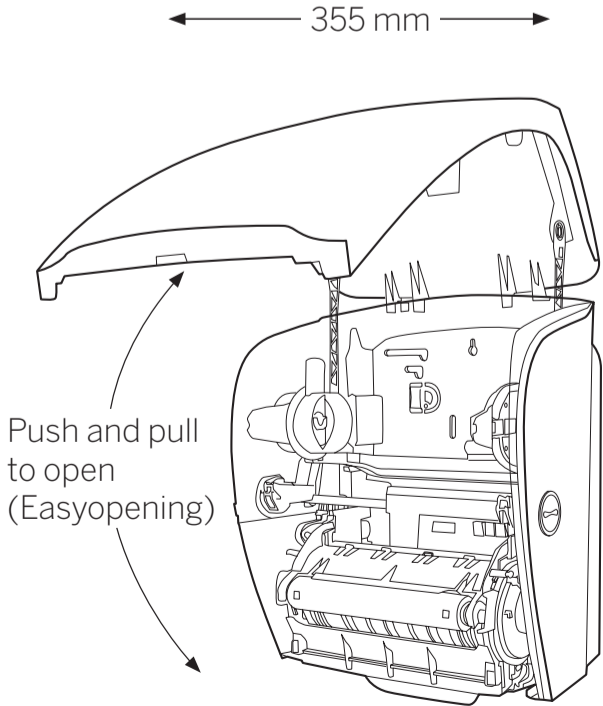


MODE: Choose whether you want to have next towel visible or not  
 DELAY: Choose delay time for next towel to be dispensed (3 options)  
 LENGTH: Choose sheet length (3 options)  
 RANGE: Choose how far away you want to have hand detected for towel dispensing (3 options)

Open with key  
(Position – key needed and turn right)



Easy opening  
(Position – turn left with key once, then no key needed to open dispenser)



# Scale 1:1

